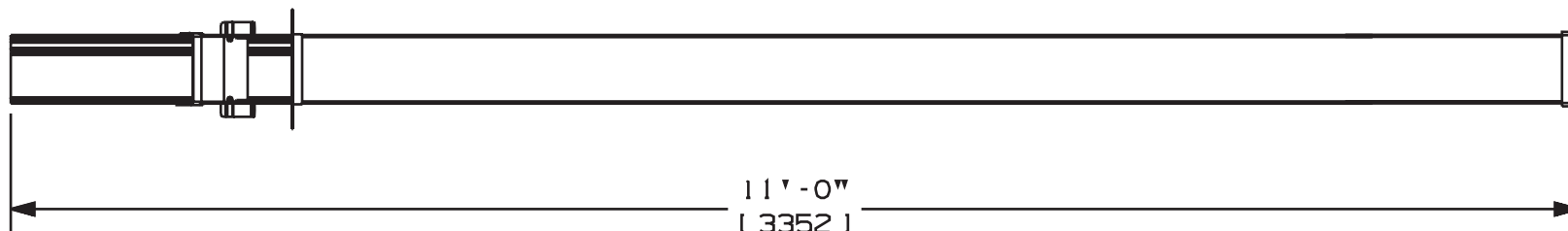
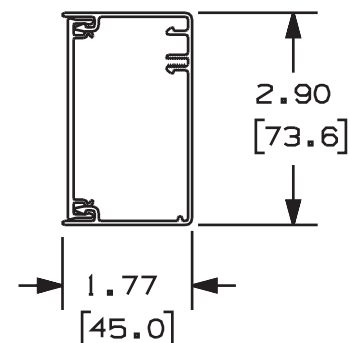


NOTES:

1. SEE CURRENT CATALOG FOR ADDITIONAL PART SUFFIXES TO INDICATE COLOR AND OR PACKAGE QUANTITY.
2. FOLLOWING PARTS ARE INCLUDED IN ACCESSORY KIT:
 ONE (1) BEND RADIUS CONTROL RAMP,
 TWO (2) #10-32 x 1/2 MACHINE SCREWS,
 ONE (1) END CAP,
 ONE (1) VELCRO PAD,
 ONE (1) BRACKET "T" BAR,
 ONE (1) THUMB SCREW,
 TWO (2) CEILING TRIM PLATES.
3. DIMENSIONS IN PARENTHESIS ARE IN METRIC.
4. ALL DIMENSIONS ARE REFERENCE DIMENSIONS.

PANDUIT P/N	WEIGHT
PCPA11	16 LB/EACH (7272g/EACH)

CROSS-SECTION OF POLE



CAD FILENAME/LAYERS D37037BB_DC_PCPA11_00.prt

PANDUIT CORP. TINLEY PARK, ILLINOIS
 PAN-WAY PAN-POLE (DATA ONLY)
 (11 FT) (PCPA11)
 CUSTOMER DRAWING

UNLESS OTHERWISE SPECIFIED,
 DIMENSIONAL TOLERANCES ARE:
 (.X) ± (.XXX) ±
 (.XX) ±.03(.8) ANGLES ±

UNLESS OTHERWISE SPECIFIED,
 ALL DIMENSIONS ARE GIVEN
 IN INCHES, THIRD ANGLE PROJECTION.

DRAWN BY MSO	MAT'L: ALUMINUM	SCALE NONE
DATE 5-23-00		DRAWING NO. 37037-02
CHECKED BY CVV		DWG A
		SIZE A

REV	DATE	BY	CHK	DESCRIPTION	ECN	CHK	CUST	SUP
R	5-23-00	MSO	CVV	RELEASED TO PRODUCTION	37037-02	HIW	HIW	